



**VIVAX**  
**METROTECH**

# vCam-6

Technical Specifications V1.8



## Worldwide Locations

### World Headquarters, United States of America

#### Vivax-Metrotech Corporation

3251 Olcott Street, Santa Clara, CA 95054, USA

T/Free : 1-800-446-3392

Tel : +1-408-734-1400

Fax : +1-408-734-1415

Website: [www.vivax-metrotech.com](http://www.vivax-metrotech.com)

Email : [SalesUSA@vxmt.com](mailto:SalesUSA@vxmt.com)

### Central/South America and the Caribbean

#### Ventas para América Latina

3251 Olcott Street, Santa Clara, CA 95054, USA

T/Free : 1-800-446-3392

Tel : +1-408-734-1400

Fax : +1-408-743-5597

Website: [www.vivax-metrotech.com](http://www.vivax-metrotech.com)

Email : [LatinSales@vxmt.com](mailto:LatinSales@vxmt.com)

### Canada

#### Vivax Canada, Inc.

41 Courtland Ave Unit 8, Vaughan, ON L4K 3T3, Canada

Tel : +1-289-846-3010

Fax : +1-905-752-0214

Website: [www.vivax-metrotech.com](http://www.vivax-metrotech.com)

Email : [SalesCA@vxmt.com](mailto:SalesCA@vxmt.com)

### United Kingdom

#### Vivax-Metrotech Ltd.

Unit 1, B/C Polden Business Centre, Bristol Road, Bridgwater, Somerset, TA6 4AW, UK

Tel : +44(0)1793 822679

Website: [www.vivax-metrotech.com](http://www.vivax-metrotech.com)

Email : [SalesUK@vxmt.com](mailto:SalesUK@vxmt.com)

### France

#### Vivax-Metrotech SAS

Technoparc - 1 allée du Moulin Berger, 69130 Ecully, France

Tel : +33(0)4 72 53 03 03

Fax : +33(0)4 72 53 03 13

Website: [www.vivax-metrotech.fr](http://www.vivax-metrotech.fr)

Email : [SalesFR@vxmt.com](mailto:SalesFR@vxmt.com)

### Germany

#### Metrotech Vertriebs GmbH

Am steinernen Kreuz 10a  
D-96110 Schesslitz

Tel : +49 954 277 227 43

Website: [www.vivax-metrotech.de](http://www.vivax-metrotech.de)

Email : [SalesEU@vxmt.com](mailto:SalesEU@vxmt.com)

### China

#### Vivax-Metrotech (Shanghai) Ltd.

3/F No.90, Lane 1122 Qinzhou Rd.(N),  
Shanghai, China 200233

Tel : +86-21-5109-9980

Fax : +86-21-2281-9562

Website: [www.vivax-metrotech.com](http://www.vivax-metrotech.com)

Email : [SalesCN@vxmt.com.cn](mailto:SalesCN@vxmt.com.cn)

## A. Typical Applications

Component	Specification
Purpose	A tool to inspect and produce digital video recordings and JPEG images of the interior of small diameter metallic and non-metallic pipes, drains, conduits, and ducts. The most typical application is the inspection of sewer laterals and plumbing. Digital video and JPEG picture images are viewed on the control module LCD and recorded onto the internal hard drive, USB thumb drives, or SD card.
System Components	<ul style="list-style-type: none"> <li> <b>Viewing &amp; Recording Device:</b>  vCam-6 Control Module (supplied with AC/DC power cables, accessory kit, and manual) </li> <li> <b>Reel Options:</b>  <b>Standard size Type-CP Reel</b> available in lengths of: <ul style="list-style-type: none"> <li>- 200 ft. / 60m</li> <li>- 300 ft. / 90m</li> <li>- 400 ft. / 120m</li> </ul> <b>Mini size Type-MX Reel</b> available in lengths of: <ul style="list-style-type: none"> <li>- 100 ft. / 30m</li> <li>- 150 ft. / 45m</li> </ul> </li> <li> <b>Camera Head Options:</b>  <b>For Type-CP Standard Reel:</b> <ul style="list-style-type: none"> <li>- D34-HD 1.3" / 34mm Self-leveling color camera</li> <li>- D46-HD 1.8" / 46mm Self-leveling color camera</li> </ul> <b>For Type-MX Mini Reel:</b> <ul style="list-style-type: none"> <li>- D18-MX 0.70" / 18mm Fixed position color camera</li> <li>- D26-MX 1" / 26mm Self-leveling color camera</li> </ul> </li> </ul> <p><i>The vCam-6 control module is backward compatible with previous camera heads supplied with legacy Type-C, Type-P, Type-M, and Type-M2 reels and camera heads.</i></p>



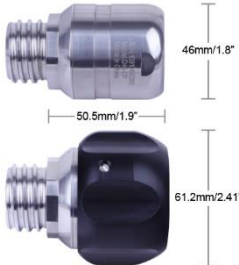
### vCam-6 Control Module



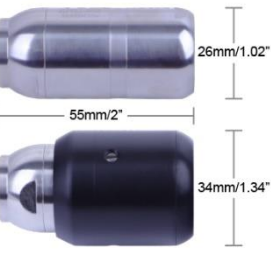
Control Module		
----------------	---	--

### Type-CP Reel

### D34-HD Camera Head

### D46-HD Camera Head

Standard size systems			
-----------------------	--	--	--

	Type-MX Reel	D18-MX Camera Head	D26-MX Camera Head
Mini size systems			

## B. vCam-6 Control Module

Component	Specification
Dimensions	14.2" (L) x 5.91" (W) x 12.6" (H) (360mm(L) x 150mm(W) x 320mm(H)).
Weight	12.1 lbs. (5.49kg)
Power Supply	<ul style="list-style-type: none"> <li>AC Power: 100V / 240V, AC power powers unit, and charges internal batteries</li> <li>DC Power: 12V DC external power supply powers unit and charges internal batteries</li> </ul>
Fuse	10 Amp – 250 Volt, glass, quick blow
Internal Storage	1 TB / 5400 RPM Hard Drive
External Storage	<ul style="list-style-type: none"> <li>USB Port – Supports up to 128GB Removable USB 2.0 Drives.</li> <li>SD Card Slot – Supports up to 32GB Removable Class 10 SD Cards</li> </ul>
File Format	<ul style="list-style-type: none"> <li>MP4 Video (1920 x 1080) (PAL or NTSC)</li> <li>JPEG Still Image Capture (1920 x 1080, 96 dpi)</li> </ul>
Display	<ul style="list-style-type: none"> <li>9.7" (24cm) Daylight viewable HD (1024x 768) (diagonal measurement)</li> <li>Touch screen option</li> </ul>
Environmental	<ul style="list-style-type: none"> <li>Water-resistant to IP54 (IEC 60529-Light shower) (lid closed)</li> <li>Shock resistant (IEC 60068-2-31) (lid closed)</li> </ul>
Temperature Range	<ul style="list-style-type: none"> <li>Storage: -4°F to 158°F (-20°C to +70°C)</li> <li>Operating: 14°F to 122°F (-10°C to +50°C)</li> </ul>
Manufacturing	<ul style="list-style-type: none"> <li>Designed and manufactured per ISO 9001:2015</li> </ul>
Battery	<ul style="list-style-type: none"> <li>An Internal Lithium-ion rechargeable battery (supplied with a 12V charger)</li> </ul>
Battery Life	<ul style="list-style-type: none"> <li>Internal Lithium-ion rechargeable batteries</li> <li>Time to a full charge = Six hours</li> <li>Runtime is typically four hours with sonde on, six hours with sonde off (at 70°F (21°C) (with the backlight turned on).</li> <li>Re-charging cycles are approximately 500 times the life cycle. Battery life varies with temperature.</li> </ul>
Battery Indicators	<ul style="list-style-type: none"> <li>The power button acts as a charging indicator. The button glows red while charging and glows green when fully charged</li> </ul>

	<ul style="list-style-type: none"> <li>A battery icon on the LCD status bar shows the battery level and running power source</li> </ul>
<b>Mounting</b>	Mounts directly atop standard size Type-CP reel
<b>Operating System</b>	Software is updatable via USB port with files available from the Vivax-Metrotech website, local distributor or factory
<b>Options and Accessories</b>	Smartphone/tablet app for video streaming, image capturing and file sharing

## C. Operator Controls

Controls	Functions
<b>Camera LED Dimmer</b>	Variable control on the front panel to adjust the brightness of the camera LEDs
<b>Distance Counter</b>	Push-button control on the front panel to zero distance count*
<b>Sonde Operation</b>	Push-button control on the front panel activates the sonde and changes frequencies
<b>Microphone Operation</b>	<ul style="list-style-type: none"> <li>Push-button control on the front panel turns the internal and external microphone on and off</li> <li>Push-button glows red, and the microphone icon appears on the status bar on LCD when active</li> </ul>
<b>Power On/Off</b>	<ul style="list-style-type: none"> <li>Push-button control on the front panel turns the internal microphone on and off</li> <li>Push-button glows red, and the microphone icon appears on the status bar on LCD when active</li> </ul>
<b>Recording Control</b>	<ul style="list-style-type: none"> <li>Pushbutton on the front panel, push to record, push second time to stop recording</li> <li>Push-button glows red when recording, and flashing icon appears on the status bar on LCD when recording</li> </ul>
<b>Image Capture</b>	<ul style="list-style-type: none"> <li>Press the pushbutton on the top panel, and the image is captured to the default drive</li> <li>A JPEG icon flashes on the status bar confirming the image capture</li> </ul>
<b>Video Playback control</b>	<ul style="list-style-type: none"> <li>Pushbuttons on the top panel to pause the video, rewind/fast forward, play and stop</li> <li>Icons appear on the status bar to advise which function is active</li> </ul>
<b>Digital Zoom</b>	Pushbutton on the top panel. Pressing the button repeatedly toggles through 4 x zoom, then off. When the button is pressed, a movable window appears on the LCD. Use the left/right/up/down keys to move the window and zoom in on the desired area
<b>On-Screen Display (OSD)</b>	Pressing keyboard F2 brings up OSD showing time, date, and distance counter on the bottom of the screen, press to move to the top of the screen, pressing again turns off the OSD
<b>Wi-Fi</b>	150' / 45m Wi-Fi range for use with streaming and recording app
<b>Keyboard</b>	Custom QWERTY splash-proof keyboard with specifically labeled function keys F1 through F12

Sockets and Jacks	Functions
<b>Audio and Video</b>	RCA Sockets: Color-coded industry-standard female socket for video out, video in, and audio out VGA Port: 15-pin DE-15 connector to connect to external monitors HDMI Port: to connect to HD monitors, LCD's and TV's

<b>Microphone</b>	3.5mm female industry-standard socket
<b>Media Sockets</b>	USB 2.0 and SD (secure digital) sockets Supports up to 128GB USB 2.0 USB Drives and 32 GB Class 10 SD Cards
<b>AC Power</b>	100V-240V Grounded power socket
<b>Data Port</b>	USB Mini data port for use with third-party LACP software
<b>Camera Test Port</b>	4 Pin female keyed socket to test camera head picture and LEDs
<b>DC Power</b>	12V 1 Pin male circular sock for DC power cable assembly
<b>Reel Interconnect</b>	9 Pin female keyed locking socket for reel interconnect cable

## D. Type-CP Standard Reels

Component	Specification
<b>Pushrod</b>	Fiberglass rod, conductors and coax with a high-density Polyethylene Jacket
<b>Pushrod length Options</b>	200ft (60m), 300ft (90m), or 400ft (120m)
<b>Pushrod Diameter</b>	0.47" (12mm)
<b>Minimum Break Strength</b>	4000lbs (1800kg)
<b>Bend Radius</b>	Approximately 40 x the rods OD Minimum bend radius approximately 5.5"/139mm
<b>Sonde Frequencies</b>	512Hz, 640Hz, or 33kHz selectable and set as default in the control module setup menu
<b>Sonde Output/Range</b>	5-Watt output power provided by the control module. Locatable depth up to 12ft (4m)
<b>Pushrod Tracing</b>	Post for connecting an external utility locating transmitter. When connected and energized, the entire length of the pushrod can be traced with a buried utility locator
<b>Termination Springs</b>	Field serviceable coiled cable, lanyards, and spring
<b>Distance Counter</b>	Encoder driver accurate to 0.33ft (0.1m) resolution*
<b>Reel Dimensions</b>	28"(L) x 19.7"(W) x 35.8"(H) (710(L) x 500(W) x 910(H) mm).
<b>Weight</b>	200 ft (60m): 57 lbs. (26kg) 300 ft (90m): 68 lbs. (31kg) 400 ft (120m): 79 lbs. (36kg)
<b>Environmental</b>	Water-resistant to IP54
<b>Construction</b>	All stainless-steel tubular frame with stainless hardware
<b>Manufacturing</b>	Designed and manufactured per ISO 9001:2015

<b>Braking/Locking</b>	Hand tightening friction brake to slow pushrod cage, push/pull brake lever to lock the cage
<b>Options and Accessories</b>	<ul style="list-style-type: none"> <li>• Interconnect Cable – Extended length 25ft (8m) cable to provide greater distance from the control module. (Standard version is 12ft (4m) long)</li> <li>• Drip Bag - Attaches around the reel cage to catch debris from the pushrod.</li> <li>• Rotate and Tilt Table (RAT Table) – Mounts between the control module and Type-CP reel allow it to tilt and rotate the control module to a comfortable viewing position.</li> <li>• Short Spring Kit – Consist of shorter length (7inch/18cm) and stiffer spring, coiled cable, and lanyards. Suitable for use in larger diameter lines with few bends</li> </ul>

## E. Camera Heads (For Type-CP Standard Reel) D34-HD, Self-Leveling Color Camera, 1.3inch/34mm diameter

Component	Specification
<b>Application</b>	Used with Type-CP Reel, in pipe diameters from 3 to 6 inches /76 to 152mm
<b>Resolution</b>	1080P
<b>Active Pixels</b>	NTSC: 1920 x 1080 (30 fps) PAL: 1920 x 1080 (25 fps)
<b>Focus Point</b>	7.8"/20cm
<b>Aperture / Field of View</b>	F2.4/96°
<b>Light Sensitivity</b>	0.01 Lux
<b>Lighting</b>	12.87 Lumen
<b>Auto Upright</b>	Cantilever self-leveling design
<b>Construction</b>	Stainless steel housing with scratch-resistant Sapphire lens
<b>Environmental</b>	Water resistance up to 11 BAR pressure
<b>Temperature Range</b>	Storage: -4°F to 158°F (-20°C to +70°C), Operating: 14°F to 122°F (-10°C to +50°C)
<b>Manufacturing</b>	Designed and manufactured per ISO 9001:2015
<b>Dimension Installed</b>	1.36" (Dia.) x 2.2" (L) / 34.5mm (Dia.) x 56mm (L) without standard skid 1.77" / 45mm Diameter with standard skid installed
<b>Total Dimensions</b>	1.36" (Dia.) x 2.9" (L) / 34.5mm (Dia.) x 73mm (L) without standard skid 1.77" / 45mm Diameter with standard skid installed
<b>Weight</b>	0.49lbs (0.22kg)
<b>Shipping Weight</b>	0.77lbs (0.35kg)
<b>Warranty</b>	1 Year
<b>Options and Accessories</b>	Camera Exchange Program Guide skid range: 2.25", 3", and 4" (57 mm, 75 mm, and 100 mm) Type-B Adjustable Skid



## D46-HD, Self-Leveling Color Camera, 1.8inch/46mm diameter

Component	Specification
Application	Used on Type-CP Reel, in pipe diameters from 4 to 8 inches / 101 to 203mm
Resolution	1080P
Active Pixels	NTSC: 1920 x 1080 (30 fps) PAL: 1920 x 1080 (25 fps)
Focus Point	7.8"/20cm
Aperture / FOV	F2.4/96°
Light Sensitivity	0.01 Lux
Lighting	44.02 Lumen
Auto Upright	Cantilever self-leveling design
Construction	Stainless steel housing with scratch-resistant Sapphire lens
Environmental	Water resistance up to 11 BAR pressure
Temperature Range	Storage: -4°F to 158°F (-20°C to +70°C), Operating: 14°F to 122°F (-10°C to +50°C)
Manufacturing	Designed and manufactured per ISO 9001:2015
Dimension Installed	1.8" (Dia.) x 1.9" (L) / 46mm (Dia.) x 50.5mm (L) without standard skid 2.41" / 61.2mm Diameter with standard skid installed
Total Dimensions	1.8" (Dia.) x 2.6" (L) / 46mm (Dia.) x 68.4mm (L) without standard skid 2.41" / 61.2mm Diameter with standard skid installed
Weight	0.73lbs (0.33kg)
Shipping Weight	0.84lbs (0.38kg)
Warranty	1 Year
Options	Camera Exchange Program Guide skid range: 3", 4", and 5" (75 mm, 100 mm, and 127 mm) Type-B Skid

## F. Type-MX Mini Reel

Component	Specification
Pushrod	Fiberglass rod, conductors and coax with a high-density Polyethylene jacket
Pushrod length Options	100 ft. (60m) or 150 ft. (90m)
Pushrod Diameter	0.39" (10mm)
Minimum Break Strength	4000lbs (1800kg)



<b>Bend Radius</b>	Approximately 40 x the pushrods diameter Minimum bend radius approximately 3" (75mm)
<b>Sonde Frequencies</b>	33kHz, 512Hz, or 640Hz selectable and set as default in the control module setup menu
<b>Sonde Output/Range</b>	<ul style="list-style-type: none"> <li>• 1-Watt output</li> <li>• Locatable depth up to 9 ft (3m)</li> </ul>
<b>Pushrod Tracing</b>	Post for connecting an external utility locating transmitter. When connected and energized the entire length of the pushrod can be traced with a buried utility locator
<b>Termination Spring</b>	Removable spring assembly consists of spring, coiled cable, and lanyard
<b>Distance Counter</b>	Encoder driver accurate to 0.33ft (0.1m) resolution*
<b>Reel Dimensions</b>	20.9" (L) x 12.7" (W) x 22.4" (H) (531mm (L) x 322mm (W) x 570mm (H)).
<b>Weight</b>	100 ft (30m): 22 lbs. (10kg) 150 ft (45m): 27 lbs. (12kg)
<b>Environmental</b>	Water-resistant to IP54
<b>Construction</b>	Stainless-steel tubular fame with lightweight carbon fiber drum
<b>Manufacturing</b>	Designed and manufactured per ISO 9001:2015
<b>Braking/Locking</b>	All-in-one locking and friction lever slow pushrod drum or lock in place
<b>Options and Accessories</b>	Drip Bag - Attaches around the reel cage to catch debris from the pushrod

## G. Camera Heads (For MX Mini Reel)

### D18-MX, Fixed Position Color Camera, 0.70 inch / 18mm diameter

Component	Specification
<b>Application</b>	Used on MX Reel, in pipe diameters from 1-1/2 to 4 inches / 38 to 101mm
<b>Resolution</b>	520 TVL
<b>Active Pixels</b>	NTSC: 704 x 480 PAL: 704 x 576
<b>Focus Point</b>	4.7" (120mm)
<b>Aperture / FOV</b>	F2.0/55o
<b>Light Sensitivity</b>	0.008 Lux
<b>Lighting</b>	17.53 Lumen
<b>Auto Upright</b>	None, fixed position non-leveling camera
<b>Construction</b>	Stainless steel housing with scratch-resistant Sapphire lens
<b>Environmental</b>	Water resistance up to 11 BAR pressure

<b>Temperature Range</b>	Storage: -4°F to 158°F (-20°C to +70°C), Operating: 14°F to 122°F (-10°C to +50°C)
<b>Manufacturing</b>	Designed and manufactured per ISO 9001:2015
<b>Dimensions</b>	0.70" (Dia.) x 1.2" (L) / 18.6mm (Dia.) x 29.5mm (L) without standard skid 1.22" / 31mm Diameter with standard skid installed
<b>Weight</b>	0.039lbs (0.018kg)
<b>Shipping Weight</b>	0.22lbs (0.1kg)
<b>Warranty</b>	1 Year
<b>Options and Accessories</b>	Optional 2.5 / 57mm Guide skid Camera exchange program

## D26-MX, Self-Leveling Color Camera, 1 inch / 26mm diameter

Component	Specification
<b>Range</b>	Used on MX reel, in pipe diameters from 2 to 4 inches / 50 to 101mm
<b>Resolution</b>	700 TVL
<b>Active Pixels</b>	NTSC: 704 x 480 PAL: 704 x 576
<b>Focus Point</b>	7.87" (20cm)
<b>Aperture / FOV</b>	F2.0/88.4°
<b>Light Sensitivity</b>	0.01 Lux
<b>Lighting</b>	20.39 Lumens
<b>Auto Upright</b>	Cantilever self-leveling design
<b>Construction</b>	Stainless steel housing with scratch-resistant Sapphire lens
<b>Environmental</b>	Water resistance up to 10 BAR pressure
<b>Temperature Range</b>	Storage: -4°F to 158°F (-20°C to +70°C), Operating: 14°F to 122°F (-10°C to +50°C).
<b>Manufacturing</b>	Designed and manufactured per ISO 9001:2015
<b>Dimensions Installed</b>	1.02" (Dia.) x 2" (L) / 26mm(Dia.) x 55mm(L) without standard skid 1.34" / 34mm Diameter with standard skid installed
<b>Weight</b>	0.205lbs (0.093kg)
<b>Shipping Weight</b>	0.4lbs (0.18kg)
<b>Warranty</b>	1 Year
<b>Options and Accessories</b>	Optional 2.5 and 3" guide skids (57 and 75mm) Camera exchange program

## H. Shipping Weights

Model	Dimensions and Weights
<b>vCam-6 Control Module</b> (with tool kit)	Dimension: 15.8" (L) x 8.7" (W) x 17.3" (H) (400(L) x 220(W) x 440(H) mm). Weight: 14.3 lbs. (6.5 kg)
<b>Type-CP Reel with Pushrod</b> (Reels with pushrod, camera head, insert sleeve and interconnect cable)	<ul style="list-style-type: none"> <li>• 200ft/60m               <ul style="list-style-type: none"> <li>○ Dimension: 31.1" (L) x 21.3" (W) x 38.6" (H) (790(L) x 540(W) x 980(H) mm)</li> <li>○ Weight: 74 lbs. (34kg)</li> </ul> </li> <li>• 300ft/90m               <ul style="list-style-type: none"> <li>○ Dimension: 31.1" (L) x 21.3" (W) x 38.6" (H) (790(L) x 540(W) x 980(H) mm)</li> <li>○ Weight: 83 lbs. (38kg)</li> </ul> </li> <li>• 400ft/120m               <ul style="list-style-type: none"> <li>○ Dimension: 31.1" (L) x 21.3" (W) x 38.6" (H) (790(L) x 540(W) x 980(H) mm)</li> <li>○ Weight: 95 lbs. (43kg)</li> </ul> </li> </ul>
<b>D34-HD Camera Head</b>	* Dimensions: 9" (L) x 5" (W) x 5" (H) (228(L) x 127(W) x 127(H) mm) * Weight: 2 lbs. (0.90kg)
<b>D46-HD Camera Head</b>	* Dimensions: 9" (L) x 5" (W) x 5" (H) (228(L) x 127(W) x 127(H) mm) * Weight: 2 lbs. (0.90kg)
<b>MX Reel with Pushrod</b> (Reels with pushrod, camera head, insert sleeve and interconnect cable)	<ul style="list-style-type: none"> <li>• 100 ft / 30m               <ul style="list-style-type: none"> <li>○ Dimension: 22.6" (L) x 13.5" (W) x 24.2" (H) (574 (L) x 343 (W) x 615 (H) mm)</li> <li>○ Weight: 31 lbs. (14 kg)</li> </ul> </li> <li>• 150 ft / 45m               <ul style="list-style-type: none"> <li>○ Dimension: 22.6" (L) x 13.5" (W) x 24.2" (H) (574 (L) x 343 (W) x 615 (H) mm)</li> <li>○ Weight: 34 lbs. (16 kg)</li> </ul> </li> <li>• 200 ft / 60m (North America Markets only)               <ul style="list-style-type: none"> <li>○ Dimension: 22.6" (L) x 13.5" (W) x 24.2" (H) (574 (L) x 343 (W) x 615 (H) mm)</li> <li>○ Weight: 48 lbs. (23 kg)</li> </ul> </li> </ul>
<b>D18-MX Camera Head</b>	* Dimensions: 9" (L) x 5" (W) x 5" (H) (228(L) x 127(W) x 127(H) mm) * Weight: 2 lbs. (0.90kg)
<b>D26-MX Camera Head</b>	* Dimensions: 9" (L) x 5" (W) x 5" (H) (228(L) x 127(W) x 127(H) mm) * Weight: 2 lbs. (0.90kg)

\*Shipping dimensions and weight are approximate

## I. Warranty

Item	Parameter
<b>Warranty</b>	Control Module: 1 year
	Reels & Pushrod: 1 year
	Camera Heads: 1 year
	Accessories: 1 year

## Note



\*The distance count shown on the LCD is designed to provide an estimate. Care should always be used by locating the camera with a Sonde or Pipe and Cable Locator.

Shipping dimensions and weights are approximate.

The LCD and Hard Drive used in this product are consumer products, and models may change. Vivax-Metrotech Corporation attempts to ensure that the minimum features listed here are present in every LCD and hard drive. Some additional features may vary from model to model.

Vivax-Metrotech Corporation will continue to update and improve its products. The information in these specifications is subject to change, obsolescence, or superseding. Check with your local sales representative or Vivax-Metrotech Corporation for updates.

**Disclaimer:** Product and accessory specification and availability information are subject to change without prior notice.