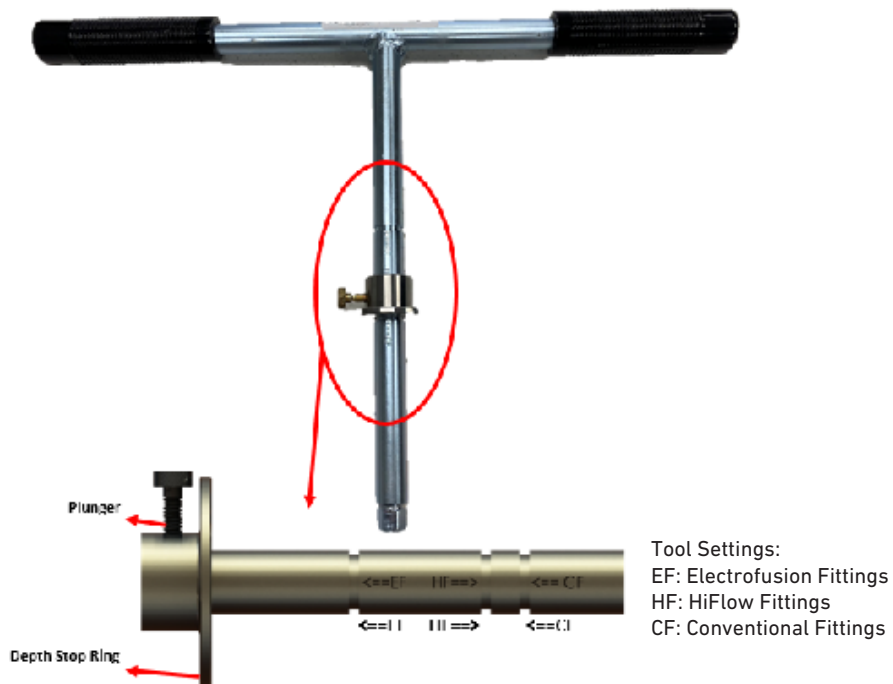


Introducing the Adjustable HVTT Tapping Tool

This tool was designed for use on GFCP’s Conventional HVTT Fittings, our Electrofusion HVTT Fittings and our NEW HiFlow HVTT Fitting.

GF Central Plastics is pleased to announce the newest addition to our Punch Tapping Tools. This tool is custom designed to adjust to three different settings by lifting the plunger and sliding the depth stop ring to the CF, EF or HF setting, adjusting for the full depth of the punch.



Product Name	Part Number
Adjustable HVTT Tapping Tool	360065374
Replacement Part	
Adjustable Collar	360065372