

# ultra SHORE™

## ultra LIGHT

## ultra SAFE



Stacking Boxes is Easy



S48-84 Panels



Installing in Trench Becomes a One-Man Job



End Panels — 4-Sided Protection



Wheel Kit Speeds Work and Increases Pipe Clearance

### ultraSHORE™ P R O D U C T S

Here it is — the trench shield that's light, easy to use, and a real workhorse. **ultraSHORE™** panels are made of a specially corrugated aluminum that gives protection in trenches up to 12 feet deep but weighs hundreds of pounds less than other shoring products.

Stack two or more **ultraSHORE™** panels or use them vertically, standing on end, in any combination. Special options such as wheel kits and legs let you take full advantage of O.S.H.A. regulations.

**Shoring wasn't meant to be this easy**

[www.shoring.com](http://www.shoring.com)

### ultra SHORE™ P R O D U C T S

**ASSEMBLES IN MINUTES!**

**Perfect for plumbers,  
municipalities,  
utility companies,  
underground contractors,  
and more!**

**ultraSHORE™**  
P R O D U C T S

**ultra Versatile**

- All panels can be used horizontally or vertically
- All panels are stackable
- Use as parallel shield panels or in “vee” or “wedge” configuration
- Close off one or both ends with quick-release, spring-loaded end closure panels

**ultra Light**

- One person can lower a single pair of assembled panels into an excavation
- Two people can lower a stacked assembly of two panels into an excavation

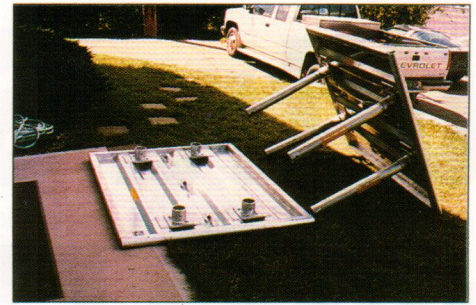
**ultra Convenient**

- Transport assembled or broken-down in the smallest pickup

**ultra Safe**

- Bury depth to 12 feet, even in Class “C” soils

**STEP 1**



Mount spreaders in one panel and prop up. Lay the second panel on the ground, nipples up.

**STEP 2**



Pick up second panel by top edge and bring to near vertical position.

**STEP 3**



Standing in middle of box, bring the two panels to a parallel position, leaning slightly at opposing angles.

**STEP 4**



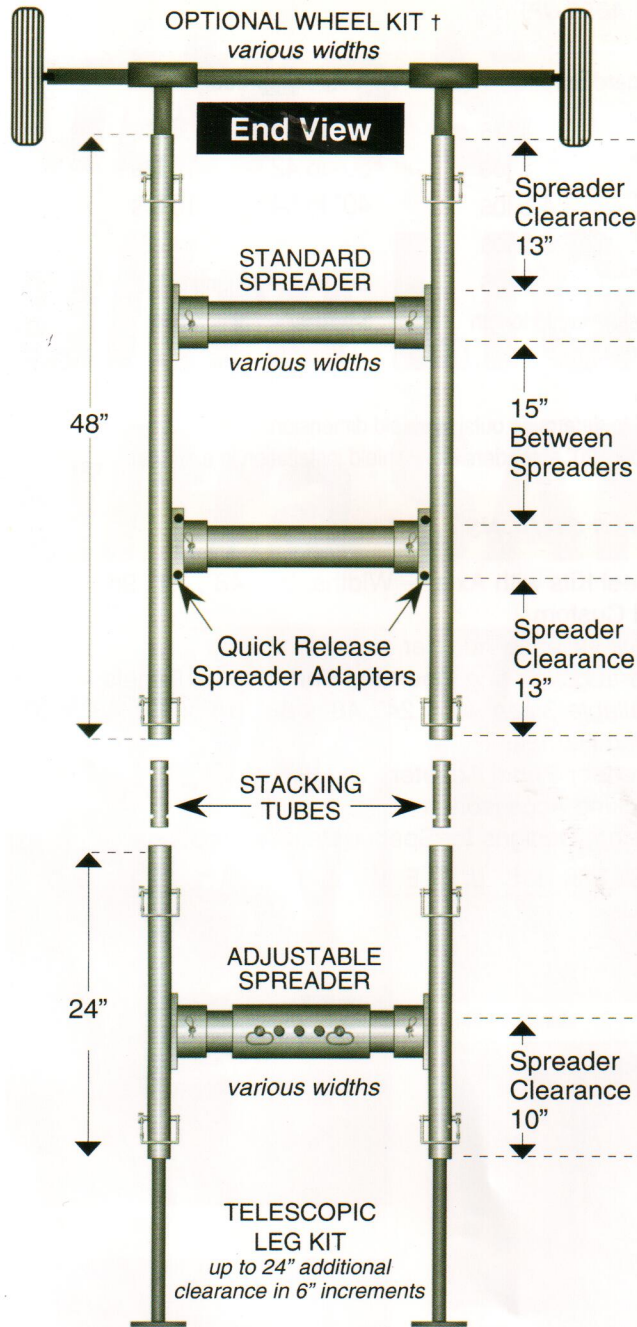
Insert spreaders into nipples one at a time.

**STEP 5**

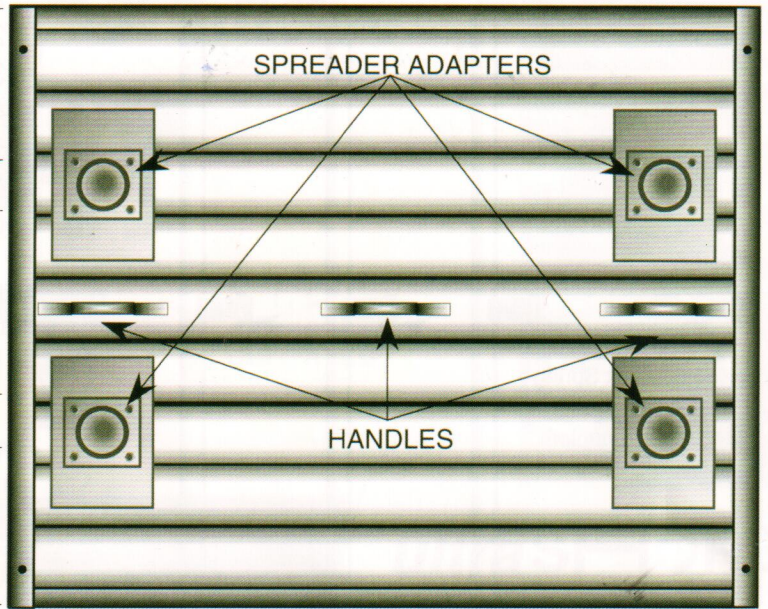


Lift up on the middle handles - spreaders will seat themselves properly. Pin all remaining nipples.

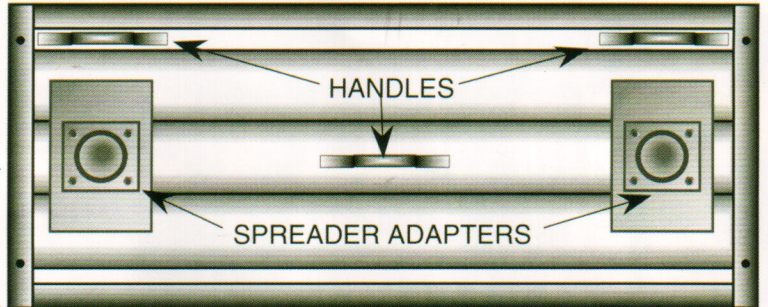
# S P E C I F I C A T I O N S



**Side View From Inside**  
**S 48 Series**



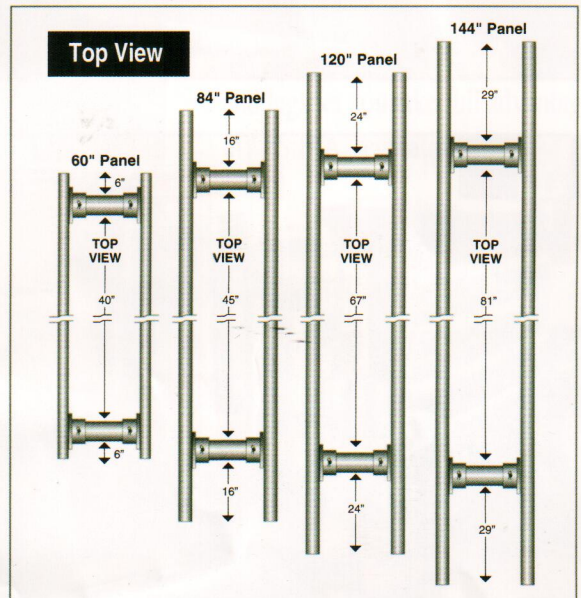
**S 24 Series**



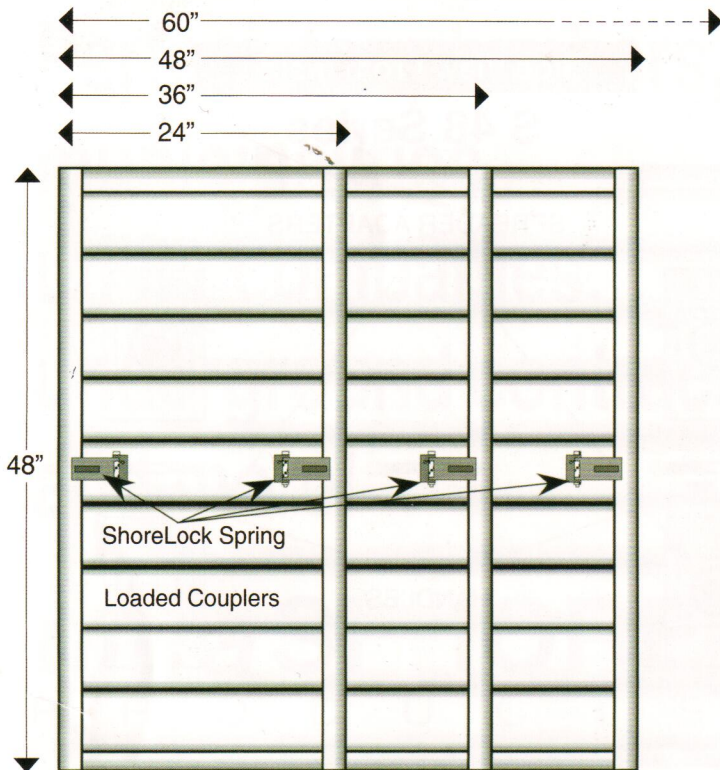
Manufactured under one or more of the following patents: 5,310,290; 5,306,103.

**NOTE:** The ultra Shield standard panels are not meant for severe duty applications (not to exceed 75 psf) without factory modifications.  
\* Soil classification in compliance with OSHA rules and regulations Part 1926 Subpart P - Excavations in effect March 5, 1990. Models and Specifications may change without notice. † Wheel kits are not meant for highway use.

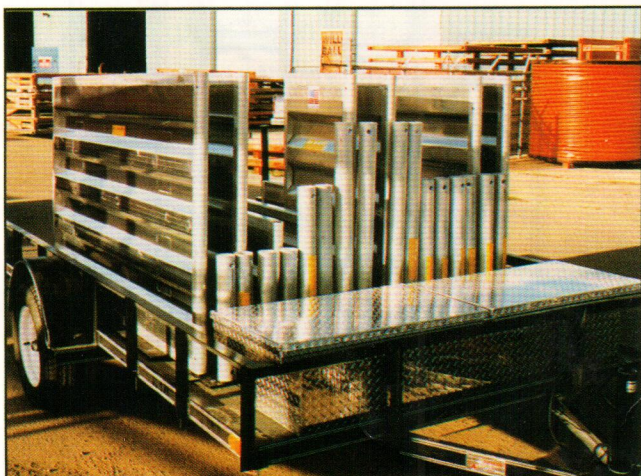
MODEL	DIMENSIONS HxLxW	psf RATING	WEIGHT PER PAIR	BURY DEPTH*
S24-60	24" x 60" x 2"	1600	74 lbs	12 ft
S24-84	24" x 84" x 2"	1600	96 lbs	12 ft
S48-60	48" x 60" x 2"	1100	130 lbs	12 ft
S48-84	48" x 84" x 2"	950	160 lbs	12 ft
S48-120	48" x 120" x 2"	865	260 lbs	12 ft
S48-144	48" x 144" x 2"	620	300 lbs	12 ft



# ultra SHIELD OPTIONS



**End Closure Panels**



## SPREADER OPTIONS

Standard Spreaders		Adjustable Spreaders	
20"	3 lbs	20" to 26"	8 lbs
24"	3 lbs	30" to 42"	12 lbs
30"	4.5 lbs	40" to 54"	16 lbs
42"	6.5 lbs		
54"	8 lbs		
Custom cut to length up to 12 ft.		Custom cut to length 54" to 96"	

Add 4" to determine outside shield dimension.  
Example: 20" spreaders allow shield installation in a 24" cut.

## OTHER OPTIONS

- Wheel Kits with Axle — Widths: 36", 48", 72", 96" and Custom
- Quick Release Adapter
- ShoreLock Spring Operated End Closure Panels — Available Sizes: 48" x 24", 48" x 36", 48" x 48", 48" x 60"
- Lifting Harness
- Spreader Panel Adapter
- Stacking Accessories
- Custom Designs for Special User Applications

D I S T R I B U T E D L O C A L L Y B Y :

**ultra SHORE™**

**P R O D U C T S**

5371 Magnolia St., Commerce City, CO 80022

[www.shoring.com](http://www.shoring.com)

**1-800-SH-ORING**

CALL TOLL-FREE NATIONWIDE • 1-800-746-7464